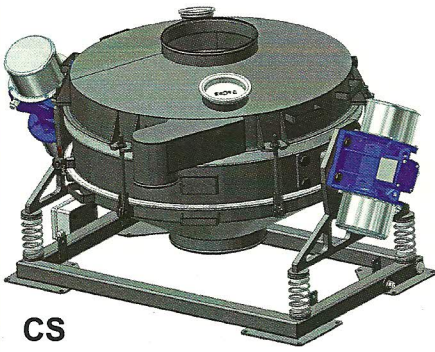


# ScreenX CS - CD

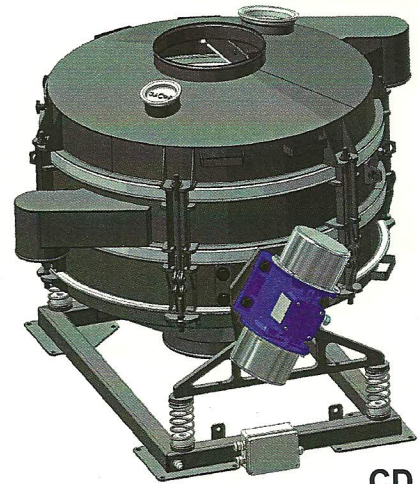
# CIRCULAR VIBRATING SCREEN



CS

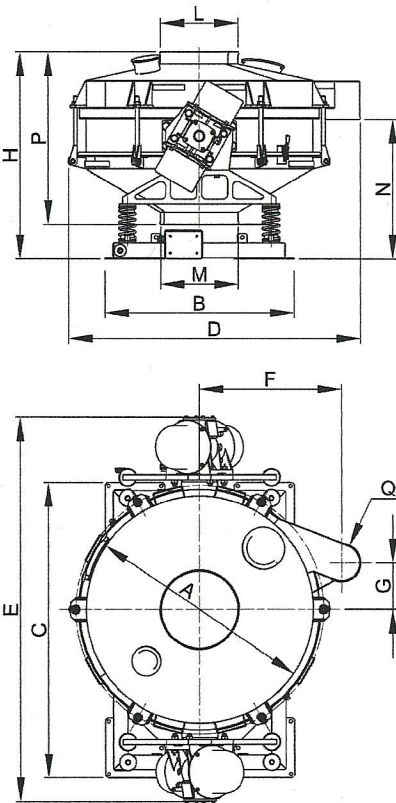
## CONSTRUCTION FEATURES

- Equipped with unique MFV excite technology to eliminate mesh blinding
- All parts in contact with the product are made of stainless steel
- Single and double deck version, dust tight
- Driven by two unbalance motors

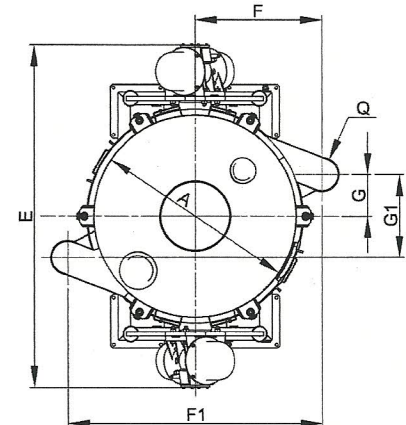
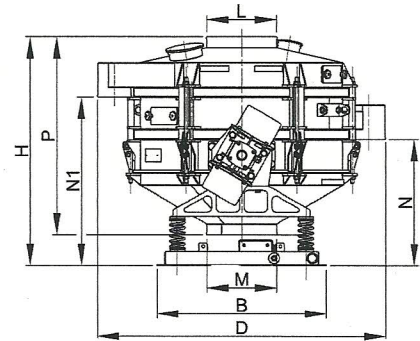


CD

	CS 065.1	CS 095.1	CD 095.2	CS 120.1	CD 120.2
Number of decks	1	1	2	1	2
Mesh surface (m <sup>2</sup> )	0.33	0.68	2 x 0.68	1.1	2 x 1.1
Input power (kW)	2 x 0.5	2 x 0.52	2 x 0.52	2 x 0.52	2 x 0.85
Weight (kg)	240	340	420	370	510



	CS 065.1	CS 095.1	CD 095.2	CS 120.1	CD 120.2
A	Ø656	Ø946	Ø946	Ø1196	Ø1196
B	790	790	790	790	790
C	930	1230	1230	1480	1480
D	870	1220	1350	1470	1590
E	1250	1610	1610	1860	1890
F	419	592	592	715	715
G	163	194	195	253	253
H	750	860	1060	880	1100
L	Ø154	Ø324	Ø324	Ø324	Ø324
M	Ø273	Ø324	Ø324	Ø404	Ø404
N	540	579	583	579	598
P	570	718	918	783	989
Q	Ø104	Ø154	Ø154	Ø154	Ø154
R			777		792



## MAIN ACCESSORIES

- Cover with suction and inspection holes
- Patented mesh cleaning system
- Assembled on a support frame

## APPLICATIONS

- Fine and ultra-fine screening of humid and dry material

## ADVANTAGES

- Extremely high efficiency
- Enables replacement of ultra-sonic screening applications with mechanical operating device
- Cost saving by easy and non-expensive replacement of the screen mesh

# VIRTO/ELCAN

325 Waverly Ave Mamaroneck, NY 10543  
 TEL: (914) 381-7500 / FAX: (914) 381-8500  
 WWW.VIRTO-ELCAN.COM SALES@VIRTO-ELCAN.COM